

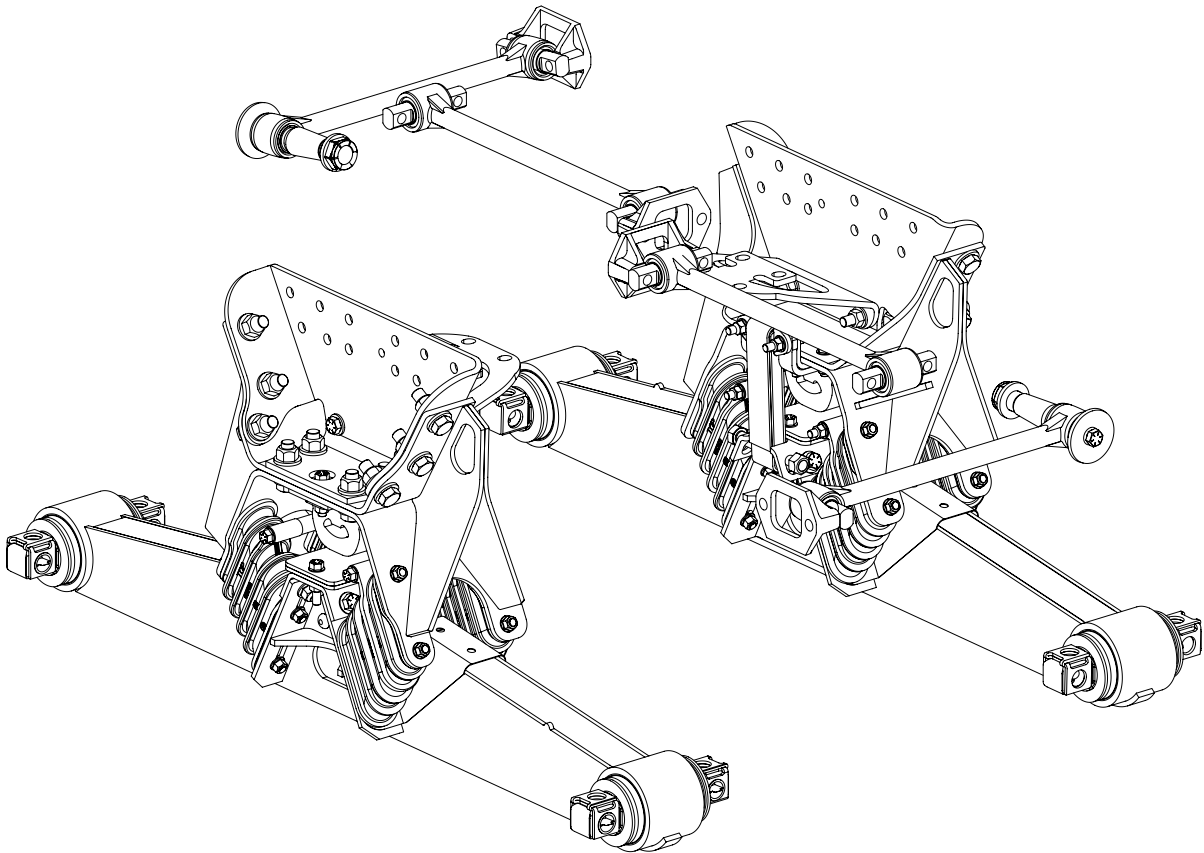
# PARTS LIST

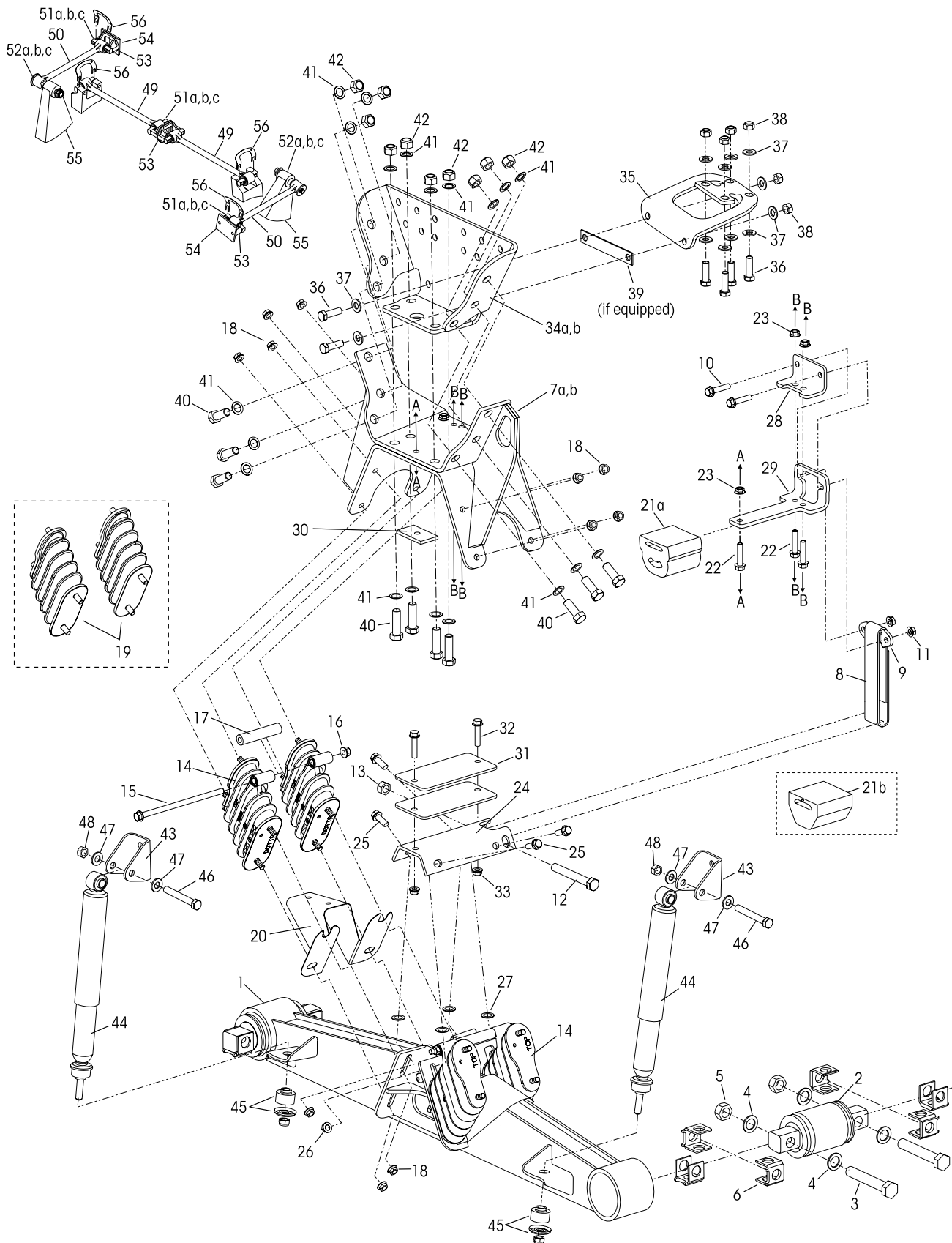
## HAULMAAX® 400/460 Rear Suspension

LIT NO: SP-171

DATE: July 2014

REVISION: G







| KEY NO. | PART NO.   | DESCRIPTION                                                                                                                         | NO.REQ. |
|---------|------------|-------------------------------------------------------------------------------------------------------------------------------------|---------|
| 1       |            | ***Equalizing Beam Assembly, 400/460                                                                                                | 2       |
|         | 64846-003  | 52", with Shock Bracket                                                                                                             |         |
|         | 64847-003  | 52", w/o Shock Bracket                                                                                                              |         |
|         | 64846-001  | 54", with Shock Bracket                                                                                                             |         |
|         | 64847-001  | 54", w/o Shock Bracket                                                                                                              |         |
|         | 64846-002  | 60", with Shock Bracket                                                                                                             |         |
|         | 64847-002  | 60", w/o Shock Bracket                                                                                                              |         |
|         | 34013-088L | <b>Bar Pin Bushing Service Kit, One Wheel End,</b><br>Includes Key Nos. 2-6a                                                        |         |
|         | 34013-188L | <b>Rotating Bar Pin Bushing Service Kit, Optional,</b><br><b>One Wheel End,</b> Includes Key Nos. 2-6a                              |         |
| 2       |            | *Bar Pin Bushing                                                                                                                    | 4       |
|         | 56659-005  | <b>Equalizing Beam End Fastener Kit, Per Beam,</b><br>Includes Key Nos. 3-5                                                         |         |
| 3       |            | *1"-8 UNC Hex 6.0" Bolt                                                                                                             | 8       |
| 4       |            | *1" Hardened Washer                                                                                                                 | 16      |
| 5       |            | *1"-8 UNC Locknut                                                                                                                   | 8       |
| 6       |            | Bar Pin Shim                                                                                                                        | 8       |
|         | a          | 50130-000 0.19" / 0.19" Standard                                                                                                    |         |
|         | b          | 50131-000 0.25" / 0.12" Optional                                                                                                    |         |
|         | c          | 57026-000 0.375" Optional flat shim                                                                                                 |         |
|         | 57974-051  | <b>Saddle Assembly Service Kit, Tandem Set,</b><br>HAULMAAX 400, Includes Key No. 7a and<br>Kit No. 57974-048                       |         |
|         | 57974-050  | HAULMAAX 460, Includes Key No. 7b and<br>Kit No. 57974-049                                                                          |         |
|         | 57974-048  | <b>Saddle Assembly Fastener Kit, Tandem Set,</b><br>HAULMAAX 400, Includes Key Nos.<br>10-11, 18, 22-23, 25-26, 40-42               |         |
|         | 57974-049  | HAULMAAX 460, Includes Key Nos.<br>10-11, 15-16, 18, 22-23, 25-26, 40-42                                                            |         |
| 7       |            | Saddle Assembly, Vehicles built <b>after</b> 01/13/03                                                                               | 2       |
|         | a          | 64642-000 HAULMAAX 400                                                                                                              |         |
|         | b          | 64643-000 HAULMAAX 460                                                                                                              |         |
|         |            | • Vehicles built <b>prior</b> to 01/13/03 <i>require</i><br><i>Conversion Service Kits, see page 5</i>                              |         |
|         | 64179-028  | <b>Rebound Strap Service Kits</b><br>One Side, Includes Key Nos. 8-13                                                               |         |
|         | 64179-045  | Outrigger Tandem Set, <i>see page 6</i>                                                                                             |         |
|         | 64179-046  | Outrigger with Bolster Springs,<br>Tandem Set, <i>see page 6</i>                                                                    |         |
| 8       |            | *Rebound Strap                                                                                                                      | 2       |
| 9       |            | *Rebound Clip                                                                                                                       | 2       |
| 10      | 60818-002  | ½"-13 UNC 2.25" Flange Bolt                                                                                                         | 4       |
| 11      | 60819-000  | ½"-13 UNC Flange Nut                                                                                                                | 4       |
| 12      | 21867-007  | ¾"-16 UNF 6.0" Hex Bolt                                                                                                             | 2       |
| 13      | 30191-000  | ¾"-16 UNF Locknut                                                                                                                   | 2       |
|         | 64179-048  | <b>**Tie-bar Bolster Spring Service Kit, 2 Bolsters</b><br>with 1 Wear Plate, Includes Key Nos. 14-18, 20                           |         |
|         | 64179-049  | <b>**Bolster Spring Service Kit, 2 Bolsters</b><br>with 1 Wear Plate, Includes Key Nos. 18-20                                       |         |
| 14      |            | *Tie-bar Bolster Spring                                                                                                             | 8       |
| 15      | 60818-003  | ½"-13 UNC 10.0" Flange Bolt for Tie-bar                                                                                             | 4       |
| 16      | 60819-000  | ½"-13 UNC Flange Nut for Tie-bar                                                                                                    | 4       |
| 17      | 65742-000  | Tie-bar Bolster Spring Spacer                                                                                                       | 4       |
| 18      | 60819-000  | ½"-13 UNC Flange Nut                                                                                                                | 32      |
| 19      |            | *Bolster Spring                                                                                                                     | 8       |
| 20      | 64890-000  | Wear Plate<br><i>Replaces 60498-001 and 60498-002</i>                                                                               | 4       |
|         |            | <b>Progressive Load Spring Service Kits</b><br>for Vehicles built <b>after</b> 07/15/14                                             |         |
|         | 60961-745  | One Side, Includes Key Nos. 21a, 22-23                                                                                              |         |
|         | 60961-747  | Tandem Set, Includes Key Nos. 21a, 22-23<br>• Also a conversion kit for vehicles built prior<br>to 07/15/14                         |         |
|         | 60961-746  | Weight Bias Kit with Shims, Includes Key Nos.<br>21a, b, 22-23, 31-33, <i>Replaces 65902-004</i>                                    |         |
|         | 64179-004  | <b>Auxiliary Load Spring Service Kit, One Side,</b><br>for vehicles built <b>prior</b> to 07/15/14,<br>Includes Key Nos. 21b, 22-23 |         |

| KEY NO. | PART NO.   | DESCRIPTION                                                                                                                                  | NO.REQ. |
|---------|------------|----------------------------------------------------------------------------------------------------------------------------------------------|---------|
| 21 a    |            | *Progressive Load Spring                                                                                                                     | 2       |
|         | b          | *Auxiliary Load Spring                                                                                                                       | 2       |
| 22      |            | *½"-13 UNC 2.25" Flange Bolt                                                                                                                 | 6       |
| 23      |            | *½"-13 UNC Flange Nut                                                                                                                        | 6       |
|         | 57974-046  | <b>Contact Plate Service Kit, One Side,</b><br>Includes Key Nos. 24-26                                                                       |         |
| 24      | 59191-000  | Load Spring Contact Plate                                                                                                                    | 2       |
| 25      |            | *5/8"-11 UNC 1.5" Dacromet XL Flange Bolt<br>for Vehicles built <b>after</b> 11/07<br><b>***Replaces 60818-001</b>                           | 8       |
| 26      |            | *5/8"-11 UNC Dacromet XL Flange Nut for<br>for Vehicles built <b>after</b> 11/07<br><b>***Replaces 60819-000</b>                             | 8       |
| 27      |            | <b>***Load Spring Contact Plate Spacer</b> for<br>Vehicles built <b>prior</b> to 11/07                                                       | 8       |
| 28      | 60613-000  | Rebound Support Angle                                                                                                                        | 2       |
| 29      | 59384-000  | Load Spring Bracket                                                                                                                          | 2       |
| 30      | 60874-000  | Load Spring Spacer                                                                                                                           | 2       |
| 31      | 60791-000  | Load Spring Shim - 0.25"<br>Quantity may vary for vehicles built <b>prior</b> to<br>07/15/14 equipped with Auxiliary Load Spring             | 4       |
| 32      | 60818-002  | ½"-13 UNC 2.25" Flange Bolt                                                                                                                  | 4       |
| 33      | 60819-000  | ½"-13 UNC Flange Nut                                                                                                                         | 4       |
| 34      |            | Outboard Frame Bracket, <i>see page 5</i>                                                                                                    | 2       |
|         | a          | Vehicles built <b>after</b> 01/12/03,                                                                                                        |         |
|         | b          | Paccar vehicles built <b>prior</b> to 01/13/03                                                                                               |         |
| 35      |            | Inboard Frame Bracket, <i>see page 4</i>                                                                                                     | 2       |
| 36      | 32043-004  | 5/8"-11 UNC 2.25" Hex Bolt<br><b>*****M16 Hex Bolt</b>                                                                                       | 12      |
| 37      | 22962-004  | 5/8" Hardened Washer<br><b>*****M16 Hardened Washer</b>                                                                                      | 24      |
| 38      | 47764-000  | 5/8"-11 UNC Locknut<br><b>*****M16 Locknut</b>                                                                                               | 12      |
| 39      |            | Inboard Spacer ( <i>if equipped</i> )                                                                                                        | As Req. |
|         | 60618-001  | 1/8" (For Freightliner Vehicles w/liner, and<br>Paccar Vehicles - 3/8" Frame Rail w/liner and<br>1/2" Frame Rail w/o liner)                  |         |
|         | 60618-002  | 3/8" (For Paccar Vehicles - 3/8" Frame Rail<br>with 2 liners)                                                                                |         |
|         |            | <b>Outboard Frame Bracket to Saddle Assembly</b><br><b>Fastener Kit,</b> Includes Key Nos. 40-42                                             |         |
|         | 64179-038  | Tandem Set                                                                                                                                   |         |
|         | 64179-039  | One Side                                                                                                                                     |         |
| 40      |            | *M20 x 2.5-6G 65 mm Hex Bolt                                                                                                                 | 20      |
| 41      |            | *M20 Hardened Washer                                                                                                                         | 40      |
| 42      |            | *M20 x 2.5-6H Locknut                                                                                                                        | 20      |
| 43      | 60304-000  | Upper Shock Bracket ( <i>if equipped</i> )                                                                                                   | 4       |
|         |            | <b>Single Shock Absorber Service Kit,</b><br>( <i>if equipped</i> ) Includes Key Nos. 44-48                                                  |         |
|         | 64178-005  | 16.5" Saddle Ht.                                                                                                                             |         |
|         | 64178-006  | 17.5"/18.5" Saddle Ht.                                                                                                                       |         |
|         |            | <b>Aftermarket Shock Absorber Kit</b> for vehicles built<br>with equalizing beams without welded shock<br>absorber mounts, <i>see page 6</i> |         |
| 44      |            | Shock Absorber Assembly ( <i>if equipped</i> )                                                                                               | 4       |
|         |            | Includes Key No. 45                                                                                                                          |         |
|         | 60680-004L | for 16.5" Saddle Ht. (see Figure 1)                                                                                                          |         |
|         | 60680-005L | for 17.5"/18.5" Saddle Ht. (see Figure 1)                                                                                                    |         |
| 45      |            | *Retaining Washer and Bushing                                                                                                                | 8       |
| 46      | 32043-005  | 5/8"-11 UNC 4.25" Hex Bolt                                                                                                                   | 4       |
| 47      | 22962-004  | 5/8" Hardened Washer                                                                                                                         | 8       |
| 48      | 47764-000  | 5/8"-11 UNC Locknut                                                                                                                          | 4       |



| KEY NO. | PART NO.   | DESCRIPTION                                                                        | NO.REQ. | KEY NO.                                                                 | PART NO.   | DESCRIPTION                     | NO.REQ. |
|---------|------------|------------------------------------------------------------------------------------|---------|-------------------------------------------------------------------------|------------|---------------------------------|---------|
| 49      |            | One-piece Longitudinal Torque Rod Assembly, Straddle/Straddle                      |         | 52                                                                      |            | Taper Bushing                   | 2       |
|         |            | ULTRA ROD®, Includes Key No. 51a                                                   |         | a                                                                       | 64697-000H | ULTRA ROD                       |         |
|         | 62000-XXX  | Front, Specify Length in mm                                                        | 1       | b                                                                       | 64400-004L | ULTRA ROD PLUS                  |         |
|         | 62001-XXX  | Rear, Specify Length in mm                                                         | 1       | c                                                                       | 66649-004L | XTRB                            |         |
|         |            | ULTRA ROD® PLUS™, Includes Key No. 51b                                             |         | <b>Optional Two-Piece Torque Rod Assembly with Bushings Service Kit</b> |            |                                 |         |
|         | 72000-XXX  | Front, Specify Length in mm                                                        | 1       | 60218-000                                                               |            | ULTRA ROD Straddle/Straddle     |         |
|         | 72001-XXX  | Rear, Specify Length in mm                                                         | 1       | 60215-000                                                               |            | ULTRA ROD Straddle/Taper        |         |
| 50      |            | ****One-piece Transverse Torque Rod Assembly, Straddle/Taper, Specify Length in mm | 2       | 65781-000                                                               |            | ULTRA ROD PLUS Straddle/Taper   |         |
|         | 62350-XXX  | ULTRA ROD, Includes Key Nos. 51a-52a                                               |         | 65781-001                                                               |            | XTRB Straddle/Straddle          |         |
|         | 72350-XXX  | ULTRA ROD PLUS, Includes Key Nos. 51b-52b                                          |         | 65781-002                                                               |            | XTRB Straddle/Taper             |         |
|         | 92350-XXX  | XTRB, Includes Key Nos. 51c-52b                                                    |         | 53                                                                      | 22186-000  | Torque Rod Frame Bracket        | 2       |
| 51      |            | Straddle Bushing                                                                   | 4       | 54                                                                      | 45045-003  | Back-up Plate (for Torque Rod)  | 2       |
| a       | 47691-000L | ULTRA ROD                                                                          |         | 55                                                                      |            | ****Transverse Rod Axle Bracket | 2       |
| b       | 64400-002L | ULTRA ROD PLUS                                                                     |         | 56                                                                      | 49689-000  | Torque Rod Shim                 | As req. |
| c       | 66649-002L | XTRB                                                                               |         |                                                                         |            |                                 |         |

**INBOARD FRAME BRACKET**

| KEY NO. 35           |                                    | Saddle Height                          |                                        |                                        |           |           |           |
|----------------------|------------------------------------|----------------------------------------|----------------------------------------|----------------------------------------|-----------|-----------|-----------|
| Vehicle Manufacturer | Frame Width                        | 16.5"                                  | 17.5"                                  | 18.5"                                  | 20.25"    | 22.5"     | 25.5"     |
| Autocar              | 34"                                | 60617-601                              | 60617-602                              | 60617-603                              |           |           |           |
| CCC                  | 34"                                | 65078-001                              |                                        |                                        |           |           |           |
| Freightliner         | 34.3"-34.5"                        | 60617-501                              | 60617-502                              | 60617-503                              |           |           |           |
| GM                   | 34.75"                             |                                        | 60617-701                              |                                        |           |           |           |
| International Truck  | 34.12" - 34.25"<br>34.68" - 34.94" | 60617-101                              |                                        | 60617-104                              | 60617-103 | 60617-103 | 69681-000 |
| Mack                 | 54"                                | 33.5"                                  | 64988-301                              | 64988-301                              | 64988-301 |           |           |
|                      | 52"-60"                            |                                        | 64988-311                              | 64988-311                              | 64988-311 |           |           |
| Oshkosh              | 34"                                |                                        |                                        | 65078-003                              |           |           |           |
| Paccar with liner    | 34"                                | 67545-001<br><i>replaces 65078-001</i> | 67545-002<br><i>replaces 65078-002</i> | 67545-003<br><i>replaces 65078-003</i> |           |           |           |
|                      | 34.75"                             |                                        |                                        |                                        |           |           |           |
| Paccar without liner | 34"                                | 65079-001                              | 65079-002                              | 65079-003                              |           |           |           |
|                      | 34.75"                             |                                        |                                        |                                        |           |           |           |
| Volvo                | 54"                                | 33.5"                                  | 64988-302                              |                                        |           |           |           |
|                      | 60"-72.5"                          |                                        | 64988-312                              |                                        |           |           |           |
| Western Star         | 34"                                | 60617-501                              | 60617-502                              | 60617-503                              |           |           |           |

**NOTES**

- \* Item included in assembly or service kit only, part not sold separately.
- \*\* Haulmaax 460 suspensions must be serviced with the new tie-bar bolster spring Kit No. 64179-048. All Haulmaax 400 suspensions can be serviced using the existing bolster springs Kit No. 64179-049 or if preferred, tie-bar bolster spring Kit No. 64179-048. Refer to Hendrickson Technical Bulletin Literature No. SEU-0225 for more information.
- \*\*\* For vehicles built prior to November 2007, when replacing the load spring contact plate or equalizing beam, Kit No. 57974-046 is required. Kit includes instructions to address adjustments and the elimination of load spring spacers.
- \*\*\*\* Transverse rods are mandatory for the Haulmaax rear suspension regardless of axle spacing, refer to Literature No. 59310-004.
- \*\*\*\*\* Not supplied by Hendrickson, used for reference only. Refer to vehicle manufacturer for more information. Hendrickson is not responsible for components supplied by vehicle manufacturer.



**OUTBOARD FRAME BRACKET — Vehicles Built AFTER 01/13/03**

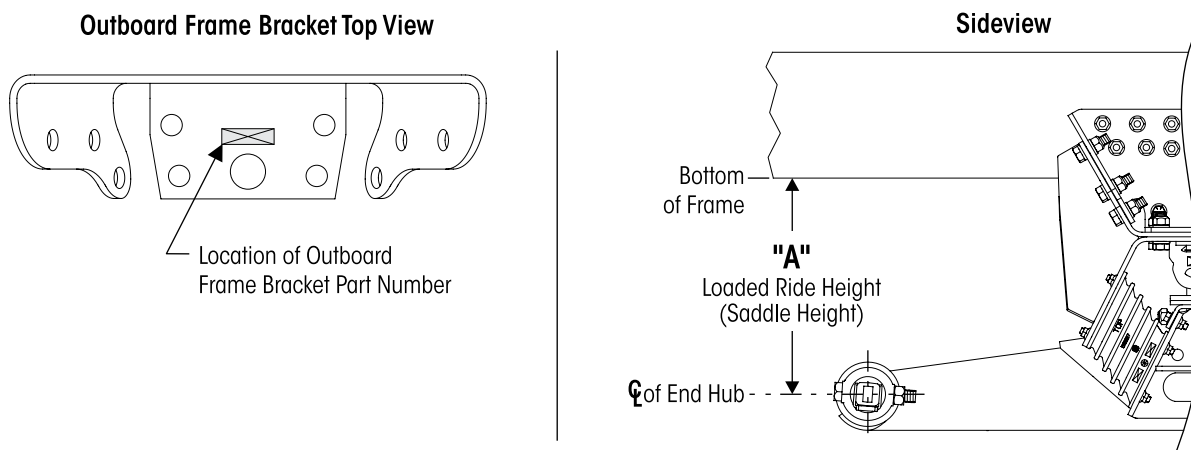
| KEY NO. 34           |                 | HAULMAAX Saddle Height (Dim. "A" in Figure 1 below) |           |           |           |           |           |
|----------------------|-----------------|-----------------------------------------------------|-----------|-----------|-----------|-----------|-----------|
| Vehicle Manufacturer | Frame Width     | 16.5"                                               | 17.5"     | 18.5"     | 20.25"    | 22.5"     | 25.5"     |
| Autocar              | 34"             | 64595-611                                           | 64595-612 | 64595-613 |           |           |           |
| CCC                  |                 | 64595-801<br><i>replaces 64595-001</i>              |           |           |           |           |           |
| Freightliner         | 34.3" - 34.5"   | 64636-001                                           | 64636-002 | 64636-003 |           |           |           |
| GM                   | 34.75"          |                                                     | 64595-701 |           |           |           |           |
| International Truck  | 34.12" - 34.25" | 64595-101                                           |           |           | 64595-105 | 64595-107 |           |
|                      | 34.68" - 34.94" | 64595-104                                           |           | 64595-114 | 64595-106 | 64595-108 | 64595-110 |
| Mack                 | 33.5"           | 64595-301                                           | 64595-302 | 64595-303 |           |           |           |
| Oshkosh              | 34"             |                                                     |           | 64595-003 |           |           |           |
| Paccar               |                 | 64595-001                                           | 64595-002 | 64595-003 | 64595-105 |           |           |
|                      | 34.75"          | 64595-004                                           | 64595-005 | 64595-006 |           |           |           |
| Volvo                | 33.5"           | 64595-301                                           |           |           |           |           |           |
| Western Star         | 34"             | 64595-001                                           | 64595-002 | 64595-003 |           |           |           |

**PACCAR ONLY — OUTBOARD FRAME BRACKET and SADDLE ASSEMBLY Conversion Kits**  
Vehicles Built PRIOR to 01/13/03

| Frame Width | Saddle Height (Dim. "A", see Figure 1) | Discontinued Part Nos.   |                             | *Conversion Kit Nos. |                       | 57974-XXX Conversion Kit Contents |                        |      |                               |    |
|-------------|----------------------------------------|--------------------------|-----------------------------|----------------------|-----------------------|-----------------------------------|------------------------|------|-------------------------------|----|
|             |                                        | **Outboard Frame Bracket | ***Saddle Assembly          | 40K lbs. Capacity    | 46K lbs. Capacity     | Key No.                           | Description            | Qty. |                               |    |
| 34"         | 16.5"                                  | 59399-001                | 64829-000<br>(40K Capacity) | 57974-024            | 57974-030             | 34a                               | Outboard Frame Bracket | 1    |                               |    |
|             | 17.5"                                  | 59399-002                |                             | 57974-025            | 57974-031             |                                   |                        | 7    | Saddle Assembly               | 1  |
|             | 18.5"                                  | 59399-003                |                             | 57974-026            | 57974-032             |                                   |                        | 36   | 5/8"-11 UNC Hex Bolt 2.25"    | 14 |
| 34.75"      | 16.5"                                  | 59399-004                | 64828-000<br>(46K Capacity) | 57974-027            | 57974-033             | 37                                | 5/8" Hardened Washer   | 28   |                               |    |
|             | 17.5"                                  | 59399-005                |                             | 57974-028            | 57974-034             |                                   |                        | 38   | 5/8"-11 UNC Locknut           | 14 |
|             | 18.5"                                  | 59399-006                |                             | 57974-034            | 57974-035             |                                   |                        | 40   | M20 x 2.5"- 6G Hex Bolt 65 mm | 10 |
|             |                                        |                          |                             |                      |                       |                                   |                        | 41   | M20 Hardened Washer           | 20 |
|             |                                        |                          |                             | 42                   | M20 x 2.5"-6H Locknut | 10                                |                        |      |                               |    |

**NOTE:** \* Refer to Hendrickson Assembly Instructions Literature No. 59310-020.  
 \*\* Any customer replacing a 59399- series outboard frame brackets **MUST** also update the saddle assembly and hardware using a 57974 series Conversion Kit. Two Conversion Kits are necessary to convert one vehicle.  
 \*\*\* Any customer replacing a 64829-000 or 64828-000 saddle assembly **MUST** also update the outboard frame bracket and hardware. Two kits needed per vehicle.

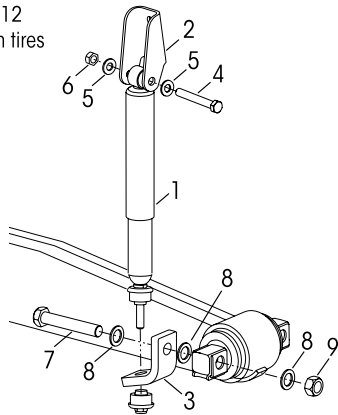
FIGURE 1



■ Aftermarket Service Kits

**Service Kit Nos.** Saddle Ht. | Aftermarket Shock Absorber Tandem Set  
**64178-003** 16.5"  
**64178-004** 17.5"/18.5"  
**64178-009** 16.5" (Mack) | For equalizing beams not equipped with lower shock mount

Reference Lit. No. 59310-012  
 Not available with 315 mm tires

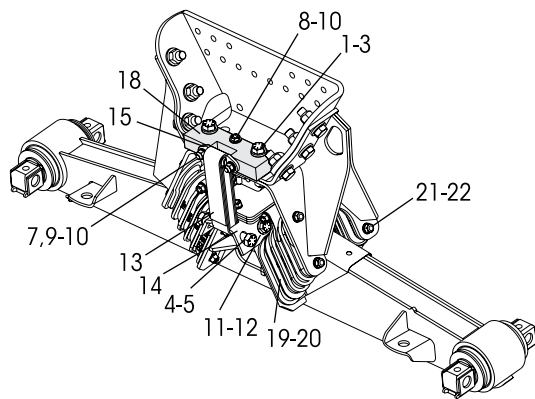


| KEY NO. | PART NO.                 | DESCRIPTION                                                           | QTY. |
|---------|--------------------------|-----------------------------------------------------------------------|------|
| 1       | 60680-004L<br>60680-005L | Shock Absorber Assembly<br>16.5" Saddle Ht.<br>17.5"/18.5" Saddle Ht. | 4    |
| 2       | 64146-000                | Upper Shock Bracket                                                   | 4    |
| 3       | 64148-001<br>64148-002   | Lower Shock Bracket Front<br>Lower Shock Bracket Rear (Not Shown)     | 2    |
| 4       | 32043-005                | 5/8"-11 UNC 4.5" Hex Bolt                                             | 4    |
| 5       | 22962-004                | 5/8" Hardened Washer                                                  | 8    |
| 6       | 47764-000                | 5/8"-11 UNC Locknut                                                   | 4    |
| 7       | 48941-001                | 1"-8 UNC 6.75" Hex Bolt                                               | 4    |
| 8       | 22962-008                | 1" Hardened Washer                                                    | 12   |
| 9       | 48942-000                | 1"-8 UNC Locknut                                                      | 4    |

**Service Kit No.** Rebound Strap Enhancement with Bolster Springs Tandem Set  
**64179-046** | For outrigger applications

**64179-045** | Rebound Strap Enhancement Tandem Set  
 For outrigger applications

Reference Lit. No. 59310-048



| KEY NO. | PART NO.  | DESCRIPTION                                                                       | QTY. |
|---------|-----------|-----------------------------------------------------------------------------------|------|
|         | 64179-046 | Rebound Strap Enhancement with Bolster Springs Tandem Set, Includes Key Nos. 1-22 |      |
|         | 64179-045 | Rebound Strap Enhancement Tandem Set, Includes Key Nos. 1-18                      |      |
| 1       | 21867-007 | 3/4"-16 UNF 6.0" Bolt                                                             | 4    |
| 2       | 30191-000 | 3/4"-16 UNF Locknut                                                               | 4    |
| 3       | 22962-001 | 3/4" Hardened Washer                                                              | 4    |
| 4       | 50764-016 | 3/4"-10 UNC 4.0" Bolt                                                             | 4    |
| 5       | 66137-000 | 3/4"-10 UNC Flange Locknut                                                        | 4    |
| 6       | 60818-001 | 1/2"-13 UNC 1.5" Flange Bolt (Not Shown)                                          | 4    |
| 7       | 24531-009 | 1/2"-13 UNC 4.0" Bolt                                                             | 12   |
| 8       | 24531-014 | 1/2"-13 UNC 5.0" Bolt                                                             | 2    |
| 9       | 60819-000 | 1/2"-13 UNC Flange Nut                                                            | 18   |
| 10      | 22962-011 | 1/2" Hardened Washer                                                              | 14   |
| 11      | 67290-001 | 5/8"-11 UNC 1.5" Flange Bolt                                                      | 8    |
| 12      | 67291-000 | 5/8"-11 UNC Flange Nut                                                            | 8    |
| 13      | 57878-017 | Rebound Strap                                                                     | 4    |
| 14      | 59191-002 | Load Spring Contact Plate                                                         | 2    |
| 15      | 60612-000 | Rebound Clip                                                                      | 2    |
| 16      | 60874-001 | Load Spring Spacer (Not Shown)                                                    | 2    |
| 17      | 68851-001 | Inboard Rebound Support Block (Not Shown)                                         | 2    |
| 18      | 69026-000 | Outboard Rebound Support Block                                                    | 2    |
| 19      |           | *Tie-bar Bolster Spring                                                           | 8    |
| 20      | 65742-000 | Bolster Spring Spacer                                                             | 4    |
| 21      | 60818-003 | 1/2"-13 UNC 10.0" Flange Bolt                                                     | 4    |
| 22      | 60819-000 | 1/2"-13 UNC Flange Nut                                                            | 36   |

This is a general parts list to provide directional information. Components may vary by model. Questions in regards to parts, contact Hendrickson Truck Parts at 1.866.755.5968 (Toll-free U.S. and Canada), 630.910.2800 (Outside U.S. and Canada) or e-mail: truckparts@hendrickson-intl.com.

www.hendrickson-intl.com



Truck Commercial Vehicle Systems  
 800 South Frontage Road  
 Woodridge, IL 60517-4904 USA

1.866.755.5968 (Toll-free U.S. and Canada)  
 1.630.910.2800 (Outside U.S. and Canada)  
 Fax 1.630.910.2899